

SUSPENSION ELLIPTICAL TRAINER

S7200HERT™

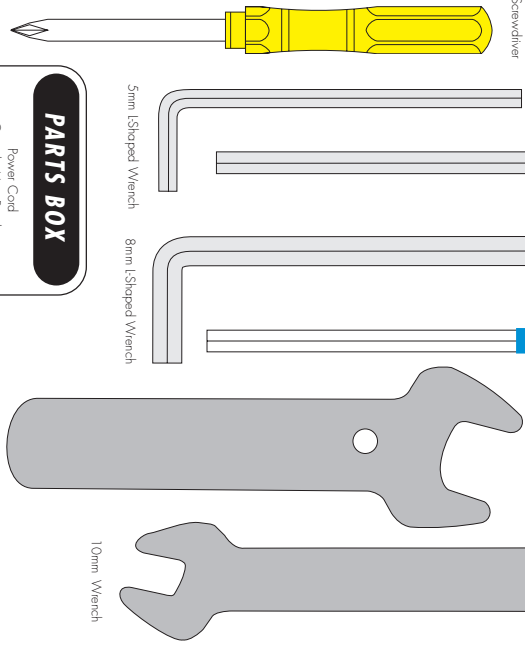
VISION FITNESS®

Assembly Guide

PARTS BOX

Power Cord
Console Mast Bracket
Console Mast Cover
Accessory Tray
Owner's Hardware Bags
Owner's Guide
Assembly Guide
Warranty Card

500 South Cr Avenue • P.O. Box 280 • Lake Mills, WI 53551
 Toll free 800.335.4348 • phone 920.448.4700 • fax 920.448.3373
 www.visionfitness.com
 ©2009 Vision Fitness. All Rights Reserved. 11/07
 M12 2709



Screwdriver

6mm L-Shaped Wrench

6mm T-Shaped Wrench

19mm Wrench
Quantity: 2

13mm Wrench

TOOLS & PARTS INCLUDED

S7200HERT™

SUSPENSION ELLIPTICAL TRAINER

To avoid possible damage to this Suspension Elliptical™ Trainer, please follow assembly steps in the correct order. Before proceeding, find your new Suspension Elliptical™ Trainer's serial number located on the front axle tube, and enter here:

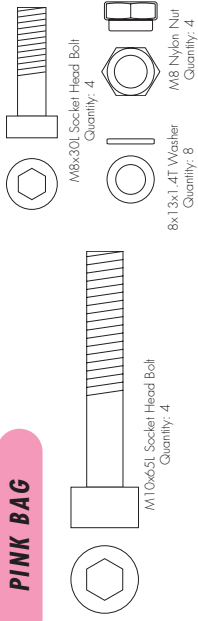
Refer to this number when calling for service, and enter this serial number on your Warranty Card and in your own records. Be sure to read your Owner's Guide before using your new Suspension Elliptical™ Trainer.

If any parts, hardware or tools are missing, please call 1.800.335.4348, Extension 12

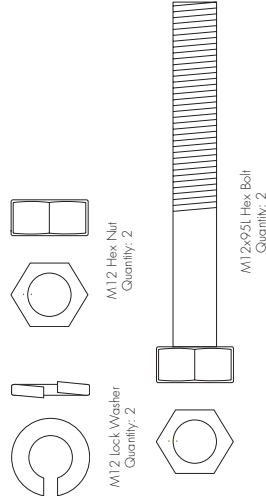
NOTE: It is recommended that you apply grease to the threads of each bolt and screw as you assemble your Suspension Elliptical™ Trainer to prevent loosening and noise. Also, during each assembly step, ensure that ALL bolts and screws are in place and partially threaded in before completely tightening any ONE bolt or screw.

HARDWARE INCLUDED

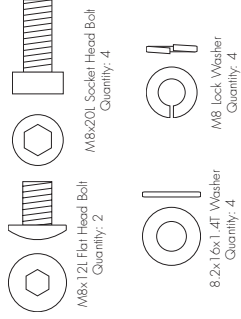
PINK BAG



BLUE BAG

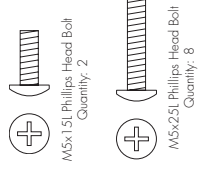


ORANGE BAG

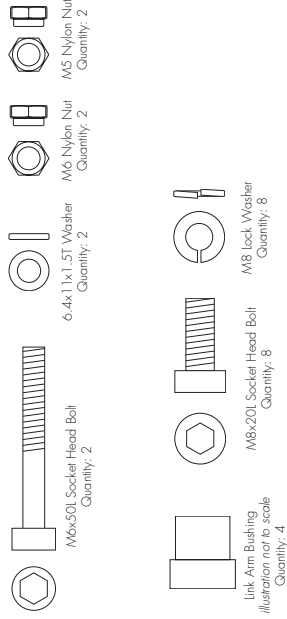


HARDWARE INCLUDED

BLACK BAG



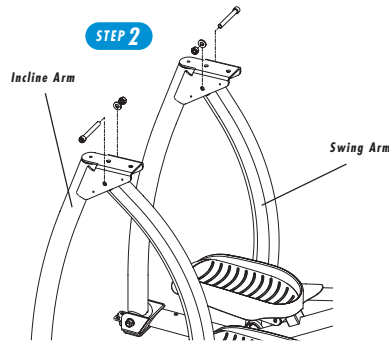
GREEN BAG



STEP 1 ORANGE BAG

NOTE: A second person will be helpful to complete this step.

- Slide the console mast boot onto the console mast.
- Plug in the elevation motor cable to the cable socket sitting in the frame bracket. Set the console mast into the console mast frame bracket. Secure the front of the mast to the frame bracket with four socket head bolts (M8x20L), four lock washers (M8), and four flat washers (8.2x1.6x1.4T). Tighten with the 6mm T-shaped wrench. Secure the sides of the console mast to the console mast bracket (M8x12L) to each side. Tighten with the 5mm L-shaped wrench.
- Wrap the wire tie that comes out of the bottom of the console mast around the data cable that exits the top of the frame. Pull the wire tie and data cable up through the slot in the side of the mast until it exits the top of the mast.
- Slide the boot down over the frame and snap in place.



STEP 1

STEP 4 GREEN BAG

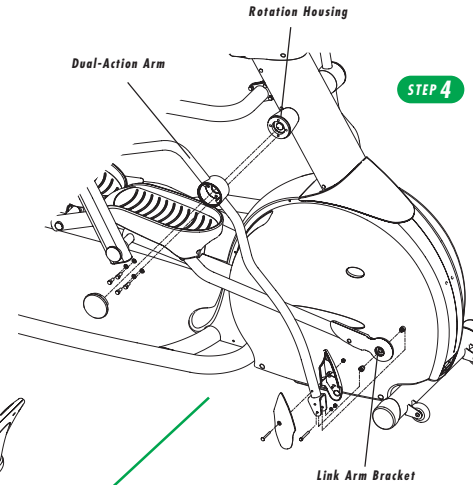
- Place the left dual-action arm on the left rotation housing and secure in place with four bolts (M8x20L) and lock washers (M8). Tighten with the 6mm L-shaped wrench.

- Line up the rotation housing cover over the rotation housing and push to snap in place.

- Insert a bushing onto each side of the link arm bracket. Slide the link arm between the flanges of the dual-action arm bracket. Insert a socket head cap bolt (M6x50L) through the hole to connect the brackets. Secure with a washer (6.4x1.1x1.5T) and nylon nut (M6). Tighten with the 10mm wrench and 5mm L-shaped wrench.

- Set the dual-action cover in place over the connection bracket. Place the nut (M5) into the recess on the inside cover. Insert a bolt (M5x50L) through the outside hole and tighten to the nut with a screwdriver.

- Repeat these steps on the right side.

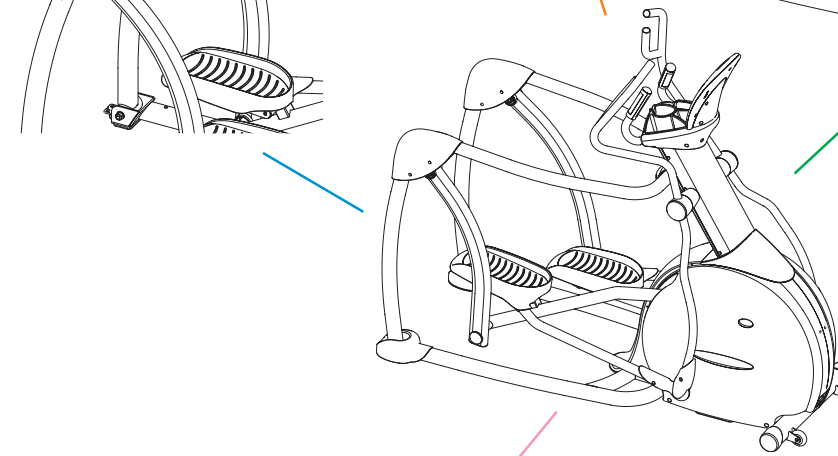


STEP 4

STEP 2 BLUE BAG

- Lift the left incline arm and insert the bearing end of the swing arm into the bracket of the incline arm. From the outside, insert a hex head bolt (M12x95L) through the bracket and link arm. Secure with a lock washer (M12) and nut (M12). Tighten with two 19mm wrenches.

- Repeat this step on the right side.



STEP 3 PINK BAG

NOTE: A second person will be helpful to complete this step.

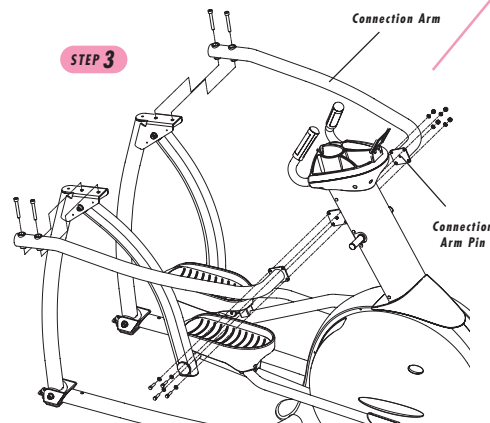
- Place the left connection arm over the left incline arm bracket and connect with two socket head cap bolts (M10x65L). Tighten only a few turns with the 8mm L-shaped wrench.

- Insert the pin on the front flange of the connection arm to the hole in the console mast elevation bracket.

- Repeat these steps on the right side.

- When the pins of both connection arms are seated in the holes of the console mast elevation bracket lift the entire assembly slightly to line up the screw holes. Insert four socket head cap bolts (M8x30L) with washers (8.2x1.3x1.4T) through these holes. Secure with a washer (8.2x1.3x1.4T) and nylon nut (M8) to each bolt. Tighten with the 6mm L-shaped wrench and 13mm wrench.

- Go back and completely tighten the screws that connect the connection arms to the incline arms with the 8mm L-shaped wrench.



STEP 3

STEP 5 BLACK BAG

- Remove the wire tie from the data cable and console mast.

- With the screwdriver, remove the four bolts from the rear console cover. Place the cover and four bolts aside.

- Remove the four console mounting bolts and one grounding bolt from the backside of the console with the screwdriver. Connect the heart rate wires coming from the mast to the heart rate wires coming from the bottom of the console. Insert the data cable through the bottom of the console and plug into the board. Pull any extra wire down into the console mast. Secure console to the bracket using the four console mounting bolts removed earlier. Tighten with the screwdriver.

- Insert the grounding bolt to the back side of the console and tighten with the screwdriver. Do not over tighten.

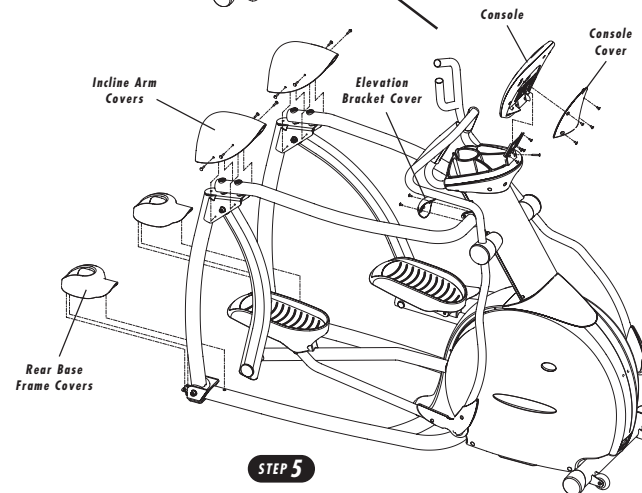
- Position the rear console cover on the back of the console and secure with the four bolts removed earlier. Tighten with the screwdriver.

- Position the covers over the rear incline arm bracket and secure each cover in place with four bolts (M5x25L).

- Position the cover over the elevation bracket and secure with two bolts (M5x15L).

- Take the rear base frame covers and pull apart to separate and slide around the bottom of the incline arm. Snap the three tabs down to set in place.

- Plug the power cord into the power socket in the front of the unit. Plug the other end of the cord into the wall outlet. Make sure the power switches at the bottom of the unit and on the back of the console are in the on position.



STEP 5